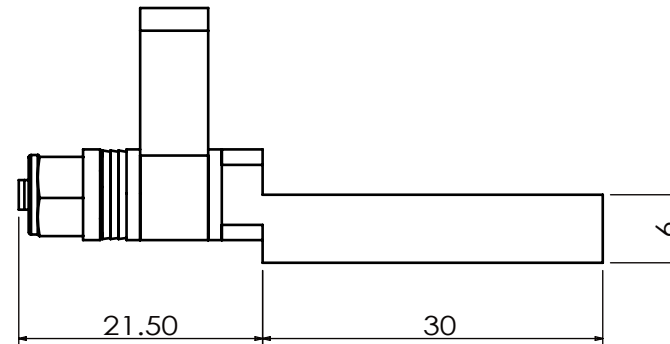
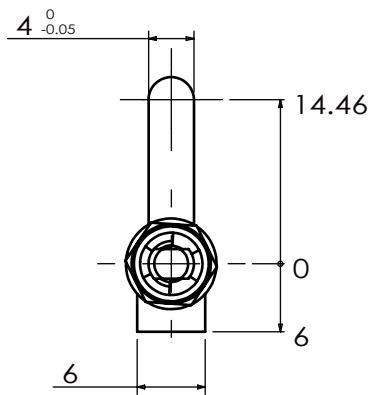
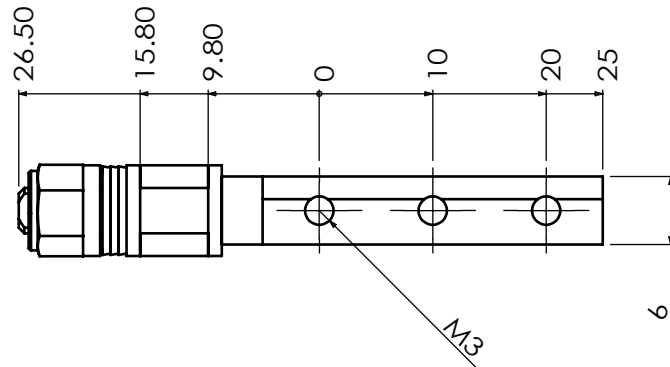


1	Date	Revisions	Staff
	****	*****	**



- 注:1.扭力:
 2.寿命测试:1万回扭力变化+/-20%
 3.带圆圈尺寸为重点尺寸.
 4.表面镀无化学镍3~6μm
 5.倒角均为:C0.3
 6.一般公差:+/-0.2.
 7.使用产品必须符合ROHS要求。

001	组装图			****	****	1	
No.	Parts Name			Materials	Treat	Q'ty	Remarks
Approved	Checked	Drawn	Designed	Date	Tolerance	Customer	
				2016.1.29	L < 1 0.05		
				Scale	Angle	DWG Name	*****
				1:1	* o 4 < L ≤ 16 0.15		
Jiaxing yujia Machinery Co.,Ltd				Unit	mm	DWG No.	SD2093A10000
					16 < L ≤ 63 0.2		
					63 < L 0.25		